

南京拓品微电子有限公司
Top Power ASIC Corp.

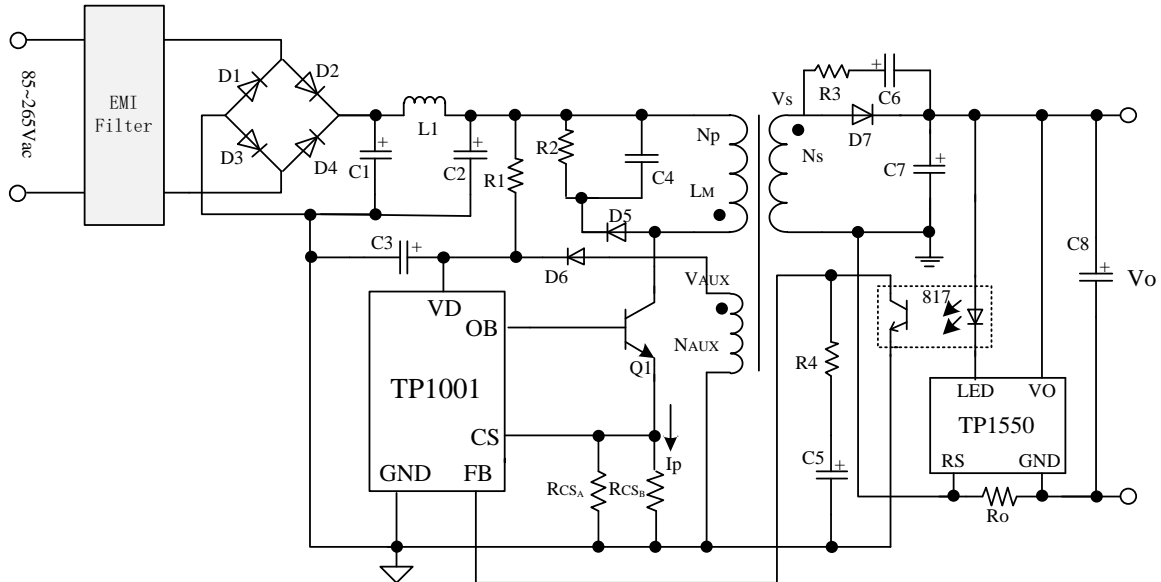
DATASHEET

TP1550

(High Accuracy CV/CC Controller IC)

TP1550 is a high accuracy CC/CV feedback controlling IC. When it works together with TP1002, a full ACDC or LED driver can be easily built. TP1550 comes in packages as SOT23-5 or TO94.

Reference Design



Please Contact Top Power ASIC Corp. for Detail Information

No.36 YongFeng Blvd. Bldg.03-604
Qinhuai District, Nanjing, Jiangsu Province, China
Tel: +86-25-84808234

No.309 Bldg.542, BaGuaLing Industrial Park
FuTian-District, ShenZhen, GuangDong Province, China
Tel: +86-755-25977660

No.35 XingHai North Road Bldg.3 Rm.1301
YinZhou District, NingBo, ZheJiang Province, China
Tel: +86-475-88290051

Email: Ldn@toppwr.com

