

南京拓品微电子有限公司

**Top Power ASIC Corp.**

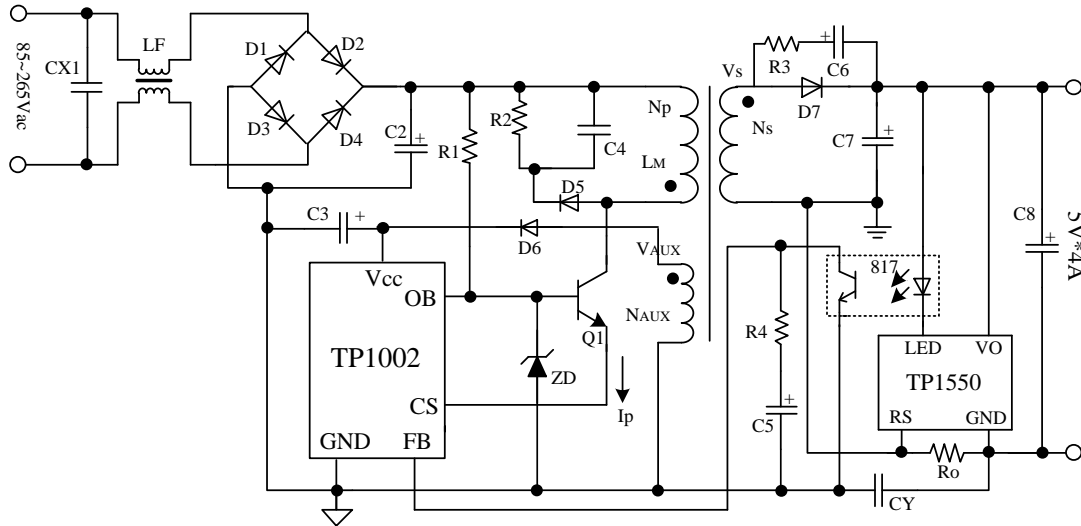
**DATASHEET**

**TP1002**

**20W high performance AC/DC controller  
with both PWM and PFM modes.**

TP1002 is a high performance AC/DC controller IC with both PWM and PFM modes. It can be used with low cost NPN transistors such as 1300 series. TP1002 comes with SOP8 package.

### Reference Design



### Please Contact Top Power ASIC Corp. for Detail Information

No.36 YongFeng Blvd. Bldg.03-604  
Qinhuai District, Nanjing, Jiangsu Province, China  
Tel: +86-25-84808234

No.309 Bldg.542, BaGuaLing Industrial Park  
FuTian-District, ShenZhen, GuangDong Province, China  
Tel: +86-755-25977660

No.35 XingHai North Road Bldg.3 Rm.1301  
YinZhou District, NingBo, ZheJiang Province, China  
Tel: +86-475-88290051

**Email: Ldn@toppwr.com**

