

南京拓品微电子有限公司

NanJing Top Power ASIC Corp.

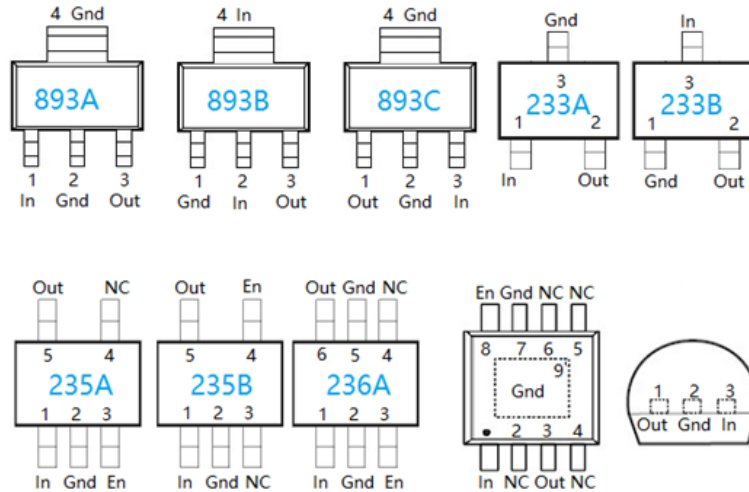
DATASHEET

TP8201

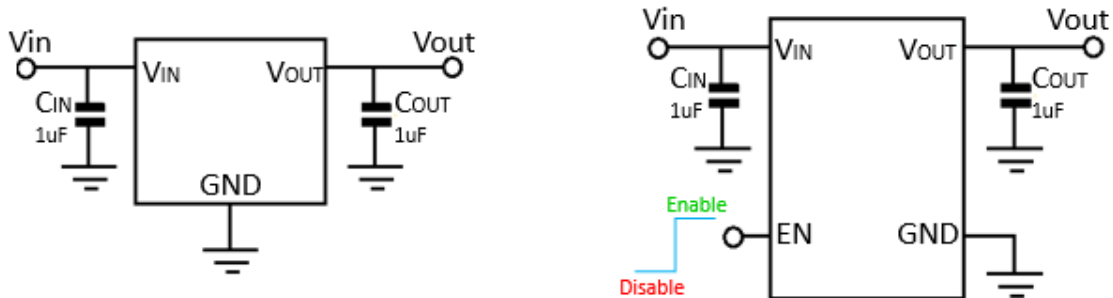
(40V 250mA Ultra-Low Power LDO)

TP8201 is an ultra-low power LDO, 40V 250mA. Fixed output from 1.5V to 5.5V, by custom-orders. Chip comes with different packages such as SOT23-5/SOT23-6/ESOP.

Available Packages in Top View



Reference Circuits



Please Contact Top Power ASIC Corp. for Detail Information

No.36 YongFeng Blvd. Bldg.03-604
Qinhuai District, Nanjing, Jiangsu Province, China
Tel: +86-25-84808234

No.309 Bldg.542, BaGuaLing Industrial Park
FuTian-District, ShenZhen, Guangdong Province, China
Tel: +86-755-25977660

No.35 XingHai North Road Bldg.3 Rm.1301
YinZhou District, NingBo, ZheJiang Province, China
Tel: +86-475-88290051

Email: Ldn@toppwr.com

