

**南京拓品微电子有限公司**  
**NanJing Top Power ASIC Corp.**

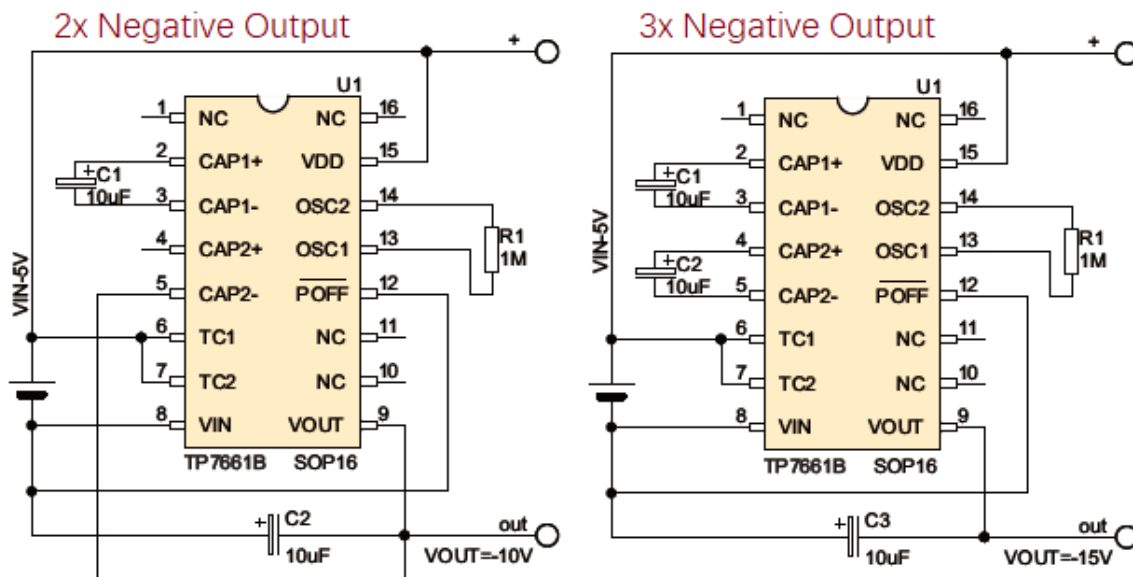
**DATASHEET**

**TP7661A /B**  
**(DCDC)**

TP7661A is a CMOS DCDC, that enables output that doubles or tripples the input voltage. User can use 2 or 3 TP7661A in series connection. More over TP7661A has 3 difference temperature accuracy modes that gives users more flexibilty in product design. TP7661A, is packaged in SOP14.

TP7661B is a CMOS DCDC, that enables output that doubles or tripples the input voltage. Except Vreg and RV, TP7661B is of the same function as TP7661A, packaged in SOP14.

### Reference Circuits



### Please Contact Top Power ASIC Corp. for Detail Information

No.36 YongFeng Blvd. Bldg.03-604  
Qinhuai District, Nanjing, Jiangsu Province, China  
Tel: +86-25-84808234

No.309 Bldg.542, BaGuaLing Industrial Park  
FuTian-District, ShenZhen, GuangDong Province, China  
Tel: +86-755-25977660

No.35 XingHai North Road Bldg.3 Rm.1301  
YinZhou District, NingBo, ZheJiang Province, China  
Tel: +86-475-88290051

**Email: Ldn@toppwr.com**

