

南京拓品微电子有限公司

NanJing Top Power ASIC Corp.

数据手册

DATASHEET

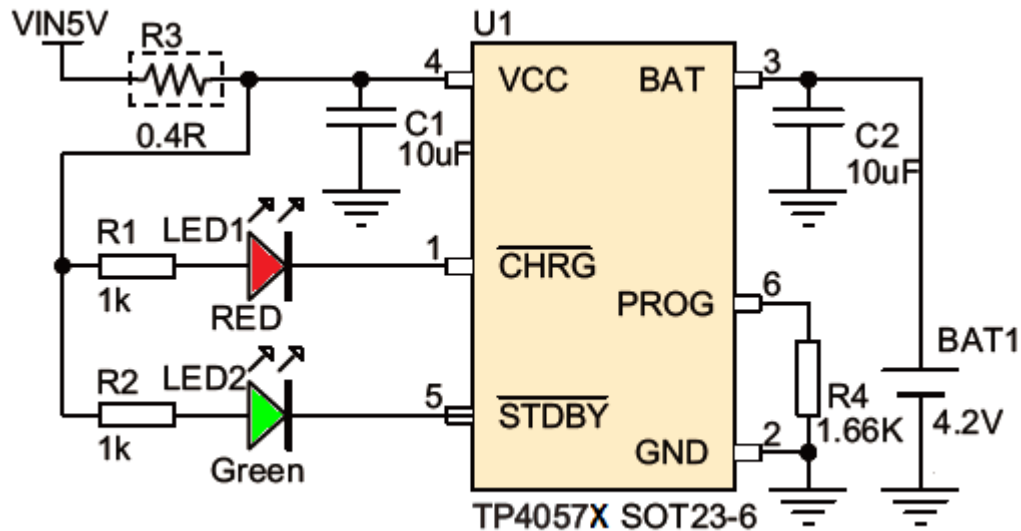
TP4057X

(500mA Lithium-Ion Battery

Linear Charging IC)

TP4057X is a linear battery charger, its charge current can range from 3mA to 600mA. TP4057X is an upgrade of TP4057, packaged in SOT23-6.

Reference Circuits



Please Contact Top Power ASIC Corp. for Detail Information

No.36 YongFeng Blvd. Bldg.03-604
Qinhuai District, Nanjing, Jiangsu Province, China
Tel: +86-25-84808234

No.309 Bldg.542, BaGuaLing Industrial Park
FuTian-District, ShenZhen, GuangDong Province, China
Tel: +86-755-25977660

No.35 XingHai North Road Bldg.3 Rm.1301
YinZhou District, NingBo, ZheJiang Province, China
Tel: +86-475-88290051

Email: Ldn@toppwr.com

