

南京拓品微电子有限公司

NanJing Top Power ASIC Corp.

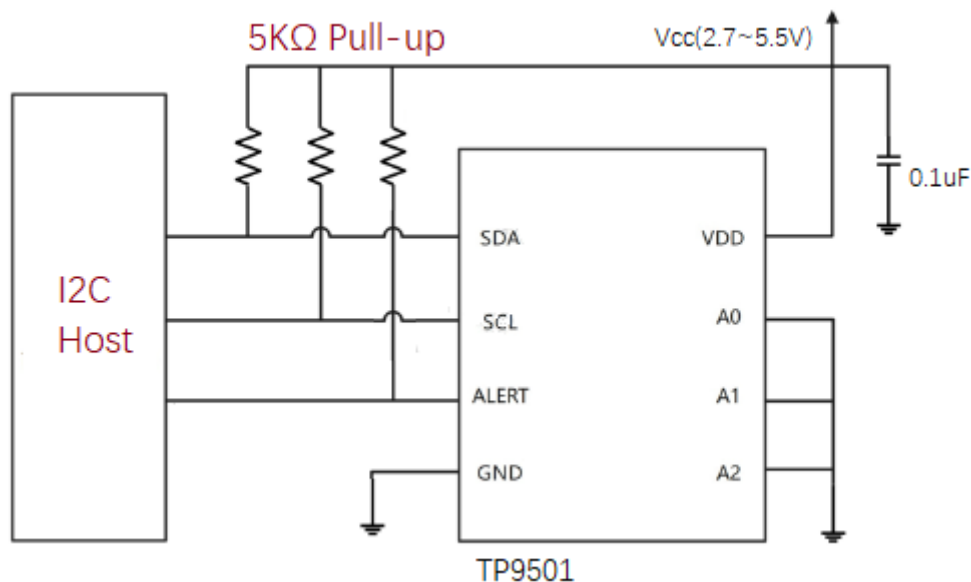
DATASHEET

TP9501

(Digital Thermometer with I2C/SMBus I/F)

TP9501 is a single channel digital thermometer.. It communicate with hosts such as MCU by 2-wire SMBus and I2C. TP9501 has a built-in 12-bit ADC. Chip is in DFN6-1.6mm×1.6mm package.

## Reference Circuits



## Please Contact Top Power ASIC Corp. for Detail Information

No.36 YongFeng Blvd. Bldg.03-604  
Qinhuai District, Nanjing, Jiangsu Province, China  
Tel: +86-25-84808234

No.309 Bldg.542, BaGuaLing Industrial Park  
FuTian-District, ShenZhen, Guangdong Province, China  
Tel: +86-755-25977660

No.35 XingHai North Road Bldg.3 Rm.1301  
YinZhou District, NingBo, ZheJiang Province, China  
Tel: +86-475-88290051



**Email: Ldn@toppwr.com**