

NanJing Top Power ASIC Corp.
南京拓品微电子有限公司

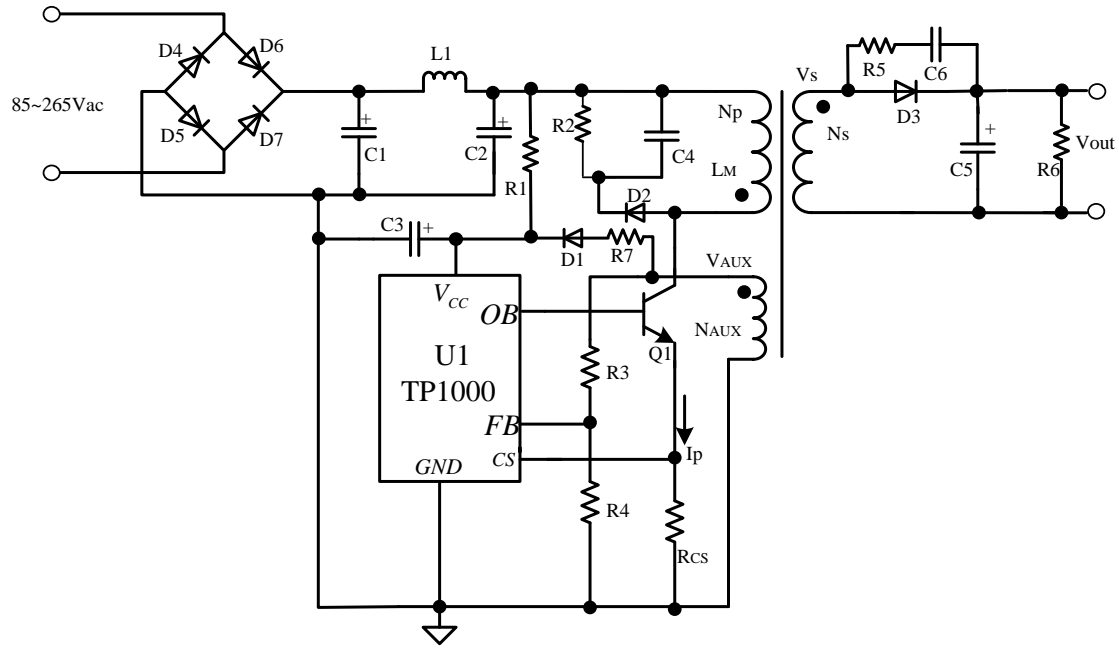
DATASHEET

TP1000

High Accuracy CC/CV Primary Side Controller

TP1000 is a high performance, high efficiency primary-side AC/DC controller IC in PFM mode. Internal circuits work at DCM mode and have protection schemes. TP1000 comes with SOT23-5 package.

Reference Circuits



Please Contact Top Power ASIC Corp. for Detail Information

No.36 YongFeng Blvd. Bldg.03-604
Qinhuai District, Nanjing, Jiangsu Province, China
Tel: +86-25-84808234

No.309 Bldg.542, BaGuaLing Industrial Park
FuTian-District, ShenZhen, GuangDong Province, China
Tel: +86-755-25977660

No.35 XingHai North Road Bldg.3 Rm.1301
YinZhou District, NingBo, ZheJiang Province, China
Tel: +86-475-88290051

Email: Ldn@toppwr.com

