

NanJing Top Power ASIC Corp.

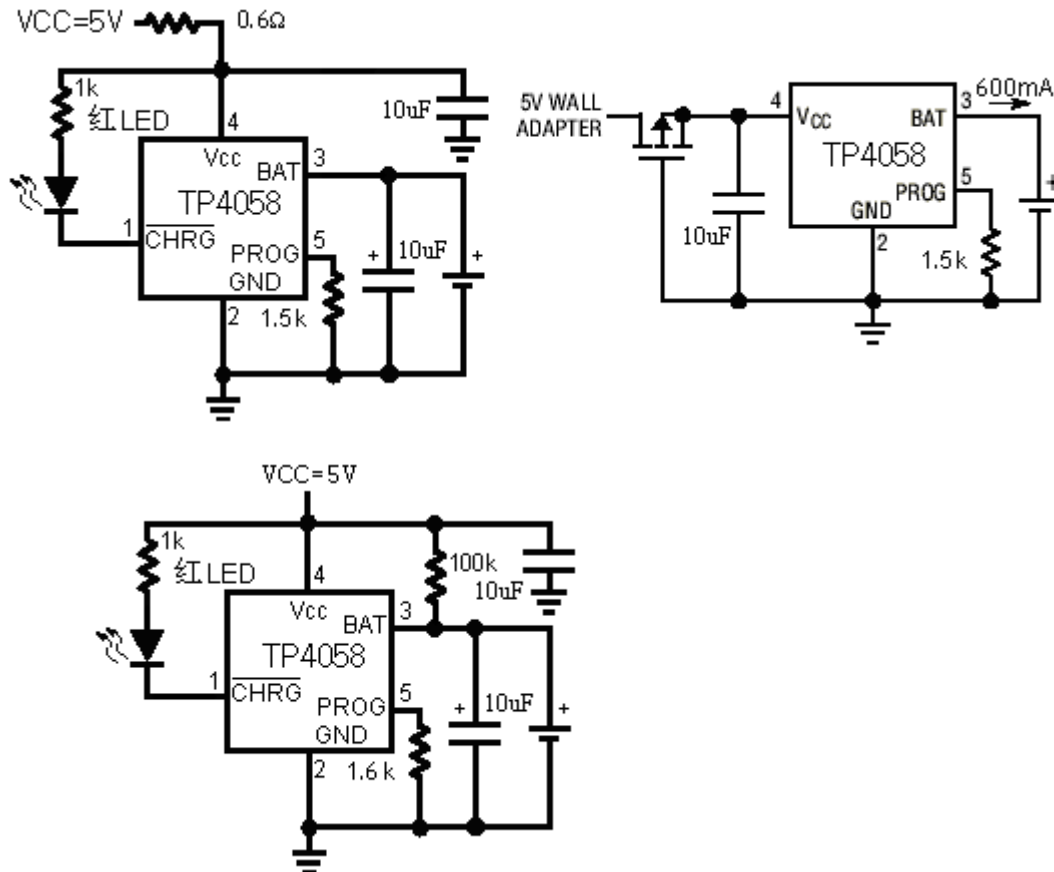
DATASHEET

TP4058

600mA Linear Lithium-Ion Battery Charger IC

TP4058 is a 600mA linear lithium-in battery charger IC. It has reverse battery protection and auto-recharging, etc. TP4058 is in SOT23-5 package.

Reference Circuits



Please Contact Top Power ASIC Corp. for Detail Information

No.36 YongFeng Blvd. Bldg.03-604
Qinhuai District, Nanjing, Jiangsu Province, China
Tel: +86-25-84808234

No.309 Bldg.542, BaGuaLing Industrial Park
FuTian-District, ShenZhen, Guangdong Province, China
Tel: +86-755-25977660

No.35 XingHai North Road Bldg.3 Rm.1301
YinZhou District, NingBo, ZheJiang Province, China
Tel: +86-475-88290051

Email: Ldn@toppwr.com

