

NanJing Top Power ASIC Corp.

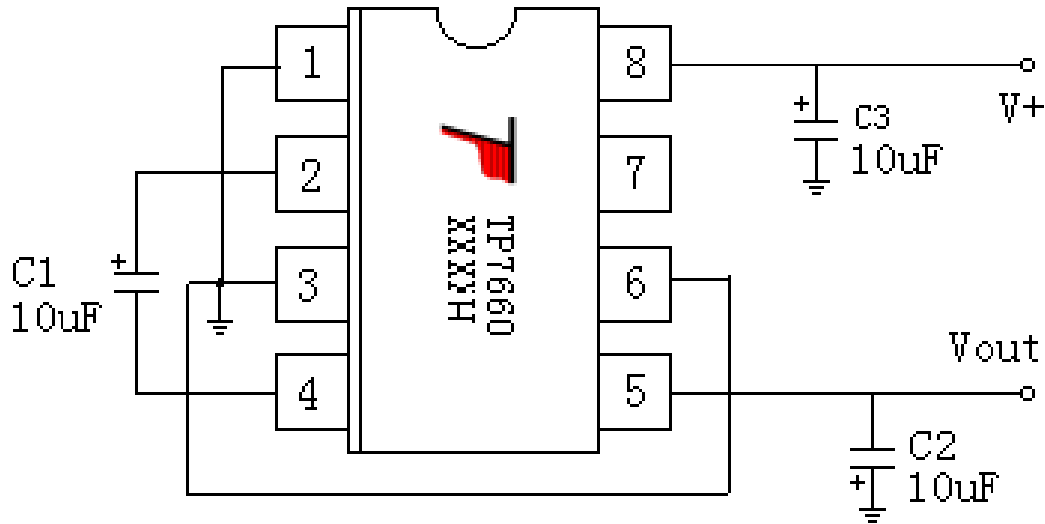
DATASHEET

TP7660H

Input/Output Negative Converter IC

TP7660H is a reverse voltage generator IC in SOP8 package. When the input power is 2.5V to 11V, the IC output is -2.5V to -11V.

Reference Circuits



Please Contact Top Power ASIC Corp. for Detail Information

No.36 YongFeng Blvd. Bldg.03-604
Qinhuai District, Nanjing, Jiangsu Province, China
Tel: +86-25-84808234

No.309 Bldg.542, BaGuaLing Industrial Park
FuTian-District, ShenZhen, GuangDong Province, China
Tel: +86-755-25977660

No.35 XingHai North Road Bldg.3 Rm.1301
YinZhou District, NingBo, ZheJiang Province, China
Tel: +86-475-88290051

Email: Ldn@toppwr.com

